

DEA®



BARRIERS

STOP/PASS

Electromechanical barrier





Electromechanical barrier

PASS/STOP

RELIABLE AND FAST & GREAT STURDINESS AND RELIABILITY

PASS is the reliable and fast 3 or 4 mt. barrier ideal for residential uses or on small parkings;
STOP is the barrier for top safety and strength, it's available for boom up to 4 or 6 mt. and it is suitable for parking systems or transit zones at high use.



PASS

STOP

RANGE

PASS/STOP

230V ac

PASSRR: 230V ac barrier for booms up to 3 or 4 mt.
STOP 1000RR: 230V ac barrier for booms up to 4 mt.
STOP 1001RR: 230V ac barrier for booms up to 6 mt.

* all 230V ac barriers are complete of 203RR control panel, with built-in 433Mhz radio receiver, adjustable travelling and slow down speed in opening and closing, anti-crush system, motor control by encoder.

24V dc

PASS/24RR: 24V dc barrier for booms up to 3 or 4 mt.
STOP 1000/24RR: 24V dc barrier for booms up to 4 mt.
STOP 1001/24RR: 24V dc barrier for booms up to 6 mt.

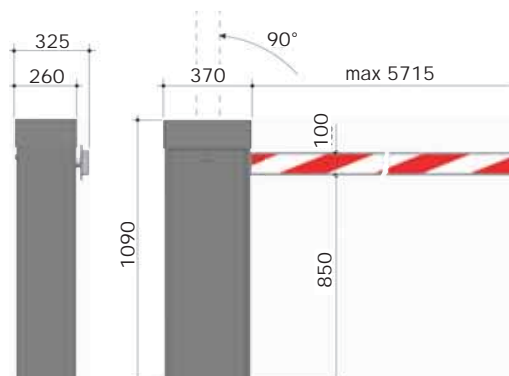
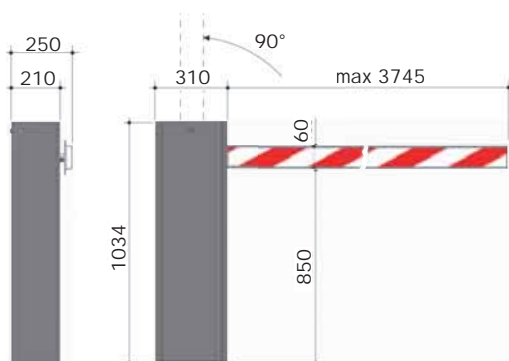
* all 24V dc barriers are complete of 124RR control panel, with built-in 433Mhz radio receiver, adjustable travelling and slow down speed in opening and closing, anti-crush system.

The models

- Electromechanical barriers, 230V ac, 24V dc
- Suitable for booms up to 3, 4 or 6 mt.
- Single model for left or right side opening
- Painted or stainless steel box complete with door with lock
- Simple internal unlocking system
- Spring balancing
- Built-in mechanical limit-switch
- Built-in control board
- Grease soaked gear motor

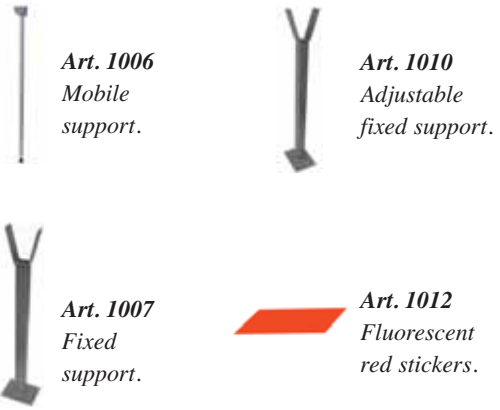


Simple internal unlocking system

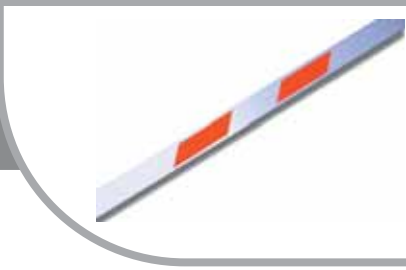
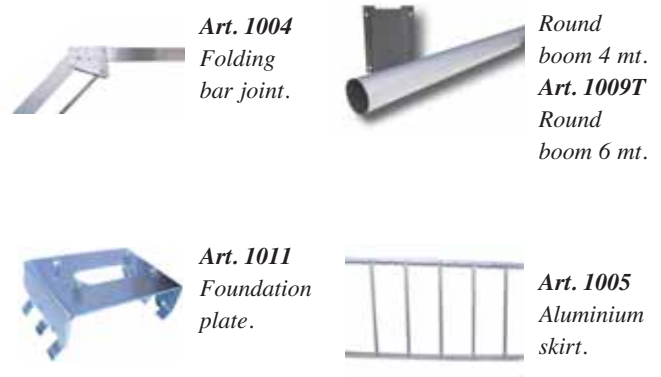


accessories

For PASS and STOP



For STOP only



For PASS

Art. 1015 PASS
Rectangular boom cm 300 x 6 x 3
Art. 1016 PASS
Rectangular boom cm 400 x 6 x 3

For STOP

Art. 1008
Rectangular boom cm 400 x 3 x 10.
Art. 1009
Rectangular boom cm 600 x 5 x 10

Technical information

Model	PASS RR	PASS/24R	1000RR	1000/24RR	1001RR	1001/24RR
Power supply (V) (50/60 Hz)	230 a.c.	24 d.c.	230 a.c.	24 d.c.	230 a.c.	24 d.c.
Motor power supply (V)	230 a.c.	24 d.c.	230 a.c.	24 d.c.	230 a.c.	24 d.c.
Capacity (W)	320	120	500	120	500	120
Condenser incorporated (µF)	8	-	18	-	18	-
Protection level (IP)	44	44	44	44	44	44
Operating temperature (°C)	-20 ÷ +60	-20 ÷ +60	-25 ÷ +60	-25 ÷ +60	-25 ÷ +60	-25 ÷ +60
Motor thermal protection (°C)	140	-	150	-	150	-
Duty cycle (%)	40	70	80	80	80	80
Minimum opening time (sec. 90°)	2,8	2,5	3	2,7	6	5,3
Weight with packing (kg)	42	41	76	75	76	75



The products

Sectional and garage doors

LIVI 902



SPAZIO



LIVI 800 C



LATO



LIVI 550PL



Swing gates

LIVI 500



ANGOLO



GHOST 200



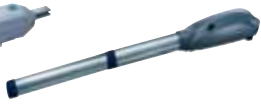
OLI 600



WING 302



LOOK



Sliding gates

LIVI 400



GULLIVER



Electromechanical barriers

PASS



STOP



Roller shutter

WILL



The accessories



Digikey:
Safe and reliable,
available wireless
and hard-wired.



Safety beams:
reliable and easy
to install.



Control boards:
230V a.c. e 24V d.c.,
exact and simple
programming.



Flashing light
with built-in
433,92 Mhz
aerial.



Radio devices:
frequency 433,92 Mhz,
available Dip-Switch
or Self-Learning type.



Programming keyboard for
transponder and wireless
transmission systems; it allows
you to personalize installations
with fitter/installation codes.

DEALER STAMP



DEA SYSTEM S.p.A.
GATE AUTOMATION
Via della Tecnica, 6 - 36013 PIOVENE ROCCHETTE (VI)
Telefono: + 39 0445 550789 - Telefax: + 39 0445 550265
www.deasystem.com
deasystem@deasystem.com